

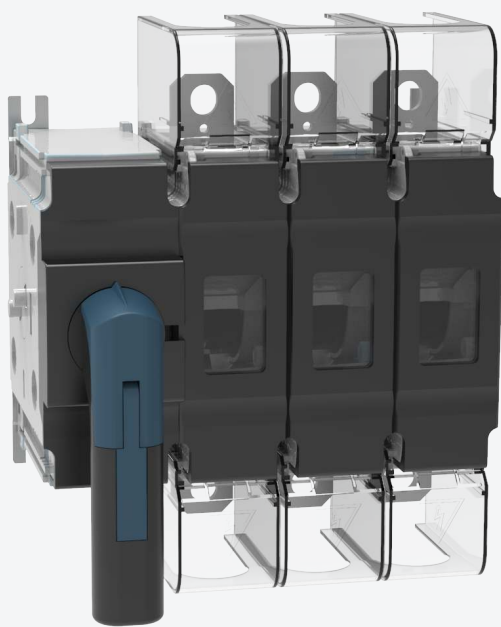


AC Isolation Switch

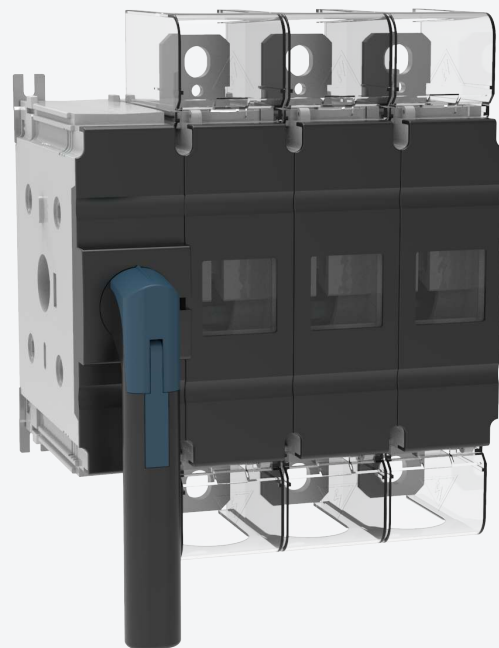
EHA High Voltage AC Disconnect

Leading Manufacturer Protects Solar Power Safety

Rev1.0 2022/12/06

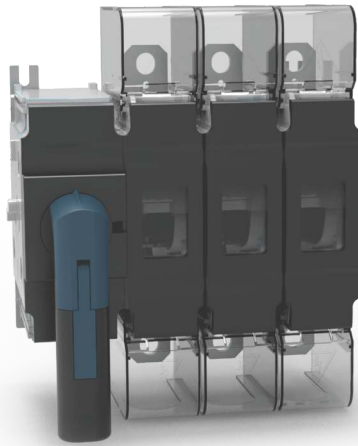


EHA-315

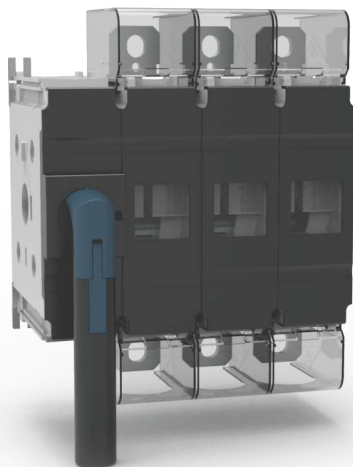


EHA-600

EHA Voltage AC Disconnecter



EHA-315



EHA-600

Product Benefits

Easy to install

- Wiring: Switch is non-polarized, all types of wiring and connections are possible.
- Auxiliary contacts easily mounted.
- The operating mechanism can be placed to meet the installation requirements.

Safe reliable operation

- Reliable position indicator through visible windows.
- The opening and closing of the switch is fully independent from the speed of operation, ensuring safe operation under all conditions.
- High temperature withstand: no derating up to 70°C.
- Ambient Temperature: -40°C to +70°C.

Designed for harsh environments

- Vibration testing (from 13.2 to 100 Hz at 0.7 g).
- Shock testing (15 g during three cycles).
- Humid temperature testing (2 cycles, 55°C/131F with 95% humidity level).
- Salt mist testing(3 cycles with humidity storage, 40°C/104F, 93% humidity after each cycle).

Select Code

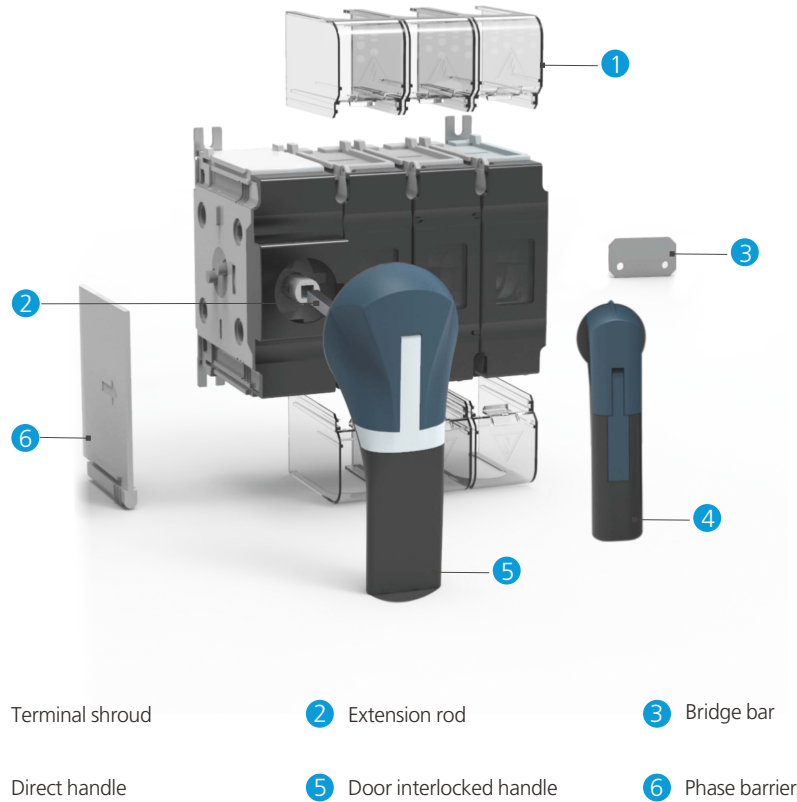
| | | | | | | | |
|-----|---|---|---|---|---|---|---|
| EHA | a | - | b | x | R | - | Y |
| 1 | 2 | | 3 | 4 | 5 | | 6 |

| No | Description | Code |
|----|-------------------------|---|
| 1 | Voltage AC disconnecter | EHA |
| 2 | Rated Voltage | 500VAC:50 690VAC:69 1000VAC:100 |
| 3 | Installation method | DB: Directly operate the handle in the cabinet DC: Outside handle EL: Enclosure |
| 4 | Rated current | 160A, 250A, 315A, 400A 630A, 800A |
| 5 | Knob lock | R: With lock Nil: Without lock |
| 6 | Pole array | 03, 12, 04, 22, 21, 30, 40 |

*Note: The left digit represents the number on the left side of the operating mechanism, and the right digit represents the number on the right side of the operating mechanism

AC LOAD BREAK SWITCH

EHA Voltage AC Disconnect



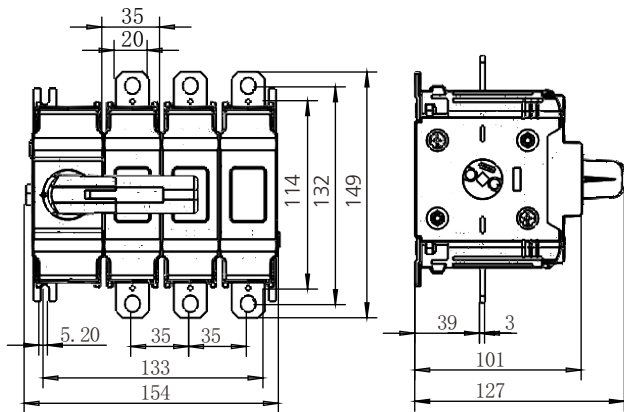
Technical Data

| Rated current I_e | | | | 160A | 250A | 315A | 400A | 630A | 800A | |
|--|-----------------|---------------|----------------------|--------------------|--------------------|--------------------|--------------------|--------------------|--------------------|-------|
| Frame size | | | | EHA-315 | | | EHA-600 | | | |
| Thermal current (I _{th}) | | | | 160 | 250 | 315 | 400 | 630 | 800 | |
| Rated insulation voltage (U _i) | | | | 1000 | 1000 | 1000 | 1000 | 1000 | 1000 | |
| Rated impulse withstand voltage U _{imp} (KV) | | | | 12 | 12 | 12 | 12 | 12 | 12 | |
| Code | Number of poles | Rated voltage | Utilisation category | I _e (A) | I _e (A) | I _e (A) | I _e (A) | I _e (A) | I _e (A) | |
| EHA | 3P | 4P | 500VAC | AC-20A/AC-20B | 160 | 250 | 315 | 400 | 630 | 800 |
| EHA | 3P | 4P | 500VAC | AC-21A/AC-21B | 160 | 250 | 315 | 400 | 630 | 800 |
| EHA | 3P | 4P | 500VAC | AC-22A/AC-22B | 160 | 250 | 315 | 400 | 630 | 800 |
| EHA | 3P | 4P | 500VAC | AC-23A/AC-23B | 160 | 250 | 315 | 400 | 630 | 800 |
| EHA | 3P | 4P | 690VAC | AC-20A/AC-20B | 160 | 250 | 315 | 400 | 630 | 800 |
| EHA | 3P | 4P | 690VAC | AC-21A/AC-21B | 160 | 250 | 315 | 400 | 630 | 800 |
| EHA | 3P | 4P | 690VAC | AC-22A/AC-22B | 160 | 250 | 315 | 400 | 630 | 800 |
| EHA | 3P | 4P | 690VAC | AC-23A/AC-23B | 160 | 250 | 315 | 400 | 630 | 800 |
| EHA | 3P | 4P | 1000VAC | AC-20A/AC-20B | 160 | 250 | 315 | 400 | 630 | 800 |
| EHA | 3P | 4P | 1000VAC | AC-21A/AC-21B | 160 | 250 | 315 | 400 | 630 | 800 |
| EHA | 3P | 4P | 1000VAC | AC-22A/AC-22B | 160 | 250 | 315 | 400 | 630 | 800 |
| EHA | 3P | 4P | 1000VAC | AC-23A/AC-23B | 160 | 250 | 315 | 400 | 630 | 800 |
| Short-circuit capacity (1000VAC no protection) | | | | | | | | | | |
| Rated short time withstand current I _{cs} 1s (kA _{eff}) | | | | I _{cs} | 8 | 8 | 8 | 11 | 11 | 11 |
| Rated short-circuit making capacity I _{cm} (kA peak)- 60 ms | | | | I _{cm} | 22 | 22 | 22 | 22 | 22 | 22 |
| Cable | | | | | | | | | | |
| Recommended Cu rigid cable cross section(mm) | | | | | 70 | 120 | 185 | 240 | 2x185 | 2x240 |
| Recommended Cu busbar width(mm) | | | | | 20 | 20 | 20 | 25 | 25 | 25 |
| Mechanical characteristics | | | | | | | | | | |
| Durability (number of operating cycles) | | | | | 8000 | 8000 | 8000 | 8000 | 8000 | 8000 |
| Number of cycles of operation with current | | | | | 1000 | 1000 | 1000 | 1000 | 1000 | 1000 |

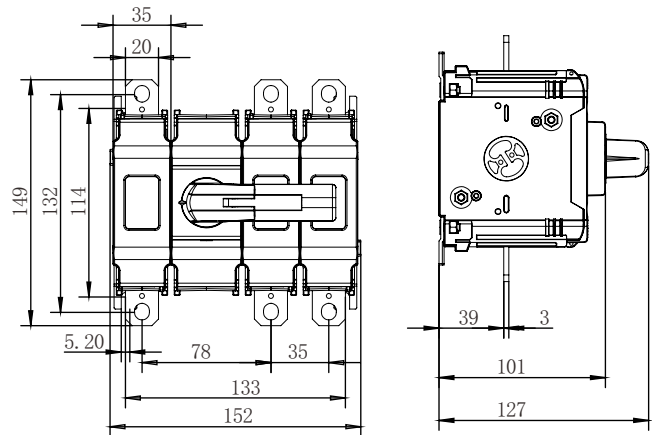
EHA Voltage AC Disconnect

Dimensions

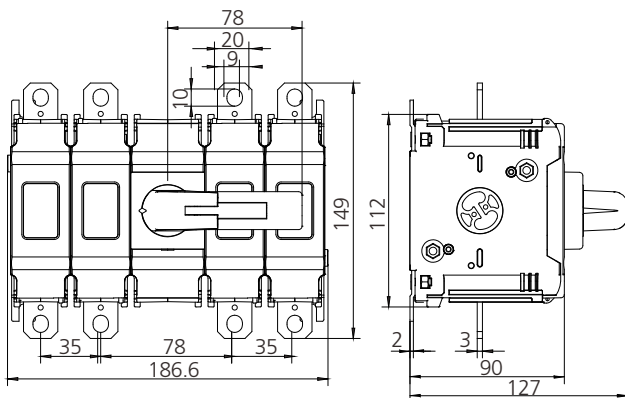
Frame EHA315R:EHA-DB-03



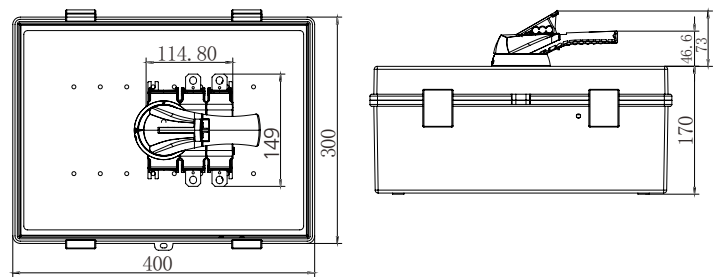
Frame EHA315R:EHA-DB-12



Frame EHA315:EHA-DB-22



Frame EHA315:EHA-EL-02



Frame EHA600:EHA-DB-03

